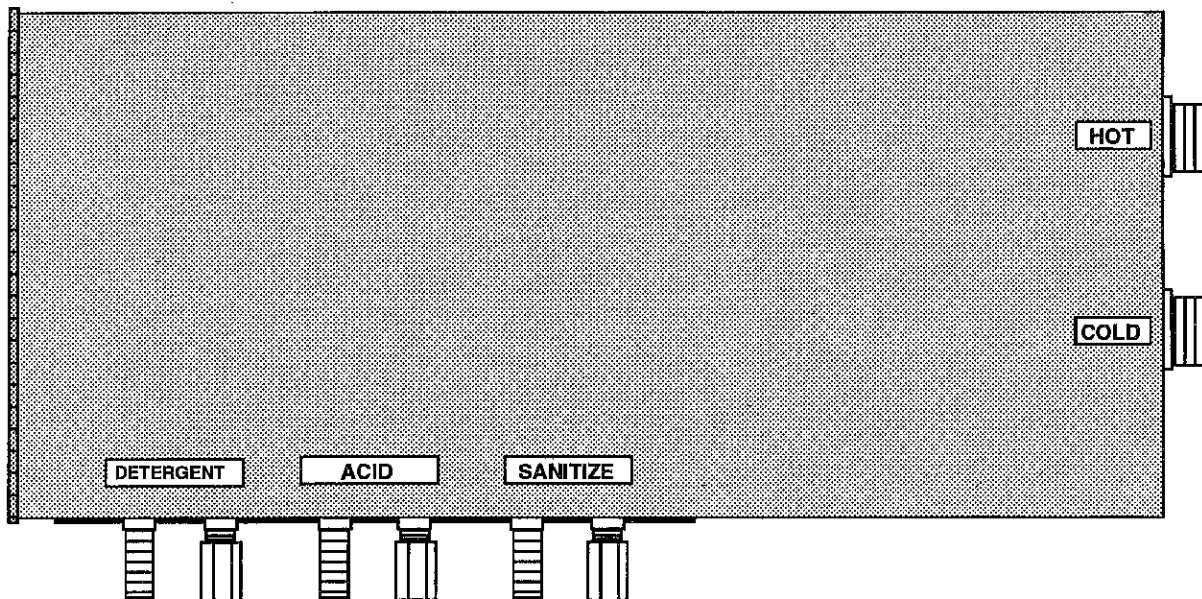




9590/9595, 9590-A/9595-A THREE-PUMP DISPENSER MODULES

- ① MOTOR DRIVEN PERISTALTIC PUMPS
- ② SWITCH PROGRAMMABLE TIMING TO SET PUMP OUTPUT (9590/9595 ONLY)
- ③ HOT AND COLD WATER VALVES (9590 ONLY)
- ④ DETERGENT, ACID, AND SANITIZE CAPACITY - 300 OZ
- ⑤ INPUT PLATE





9590/9595 3-PUMP DISPENSER MODULE INSTALLATION

1. FOR 9590 ONLY: Install plumbing for hot and cold water lines with garden hose shut-off valves on each line, within 4' of where the module will be installed. (Two 6' water hoses are provided). For fast fill, use 3/4" plumbing to shut-off valves.
2. Install the module on the wall.
 - A. If possible, do not install above the wash vat.
 - B. A 20' water hose has been provided for attaching the water valves to the input plate.
 - C. 25' of 1/4" O.D. rigid tubing has been provided for the chemical feed lines.
3. Install the input plate on the wash vat.
4. CHEMICAL FEED LINES--Each pump has a barbed input nipple for the 5/16" I.D. input tubing assembly, and a compression fitting for the 1/4" O.D. rigid output tubing.
 - A. OUTPUT LINES--Insert the 1/4" O.D. rigid output tubing into the compression fitting. Tighten fitting nut 3/4 turn. Insert the other end into a grommet in the input plate.
 - B. INPUT LINES--Attach the 5/16" I.D. flexible input tubing assembly to the barbed nipple, and clamp with the supplied plastic clamp. Place the screened ends into their respective chemical containers. Cut off excess tubing so it slopes upward to the pump.
5. Water input to the wash vat. (9590 ONLY)
 - A. Attach the 3/4" tubing between the water valves and the nipples on the input plate.
 - B. Clamp with hose clamp.
6. Attach the 6' long water hoses. (9590 ONLY)
 - A. Hot on top.
 - B. Cold on bottom.

TURN FAUCETS ON.
7. Attach the 1/2" ID pressure switch tubing to the input plate. Tubing should be cut off 6" below the required level of water in the wash vat.
8. See control module installation instructions for the electrical wiring.

ADJUSTMENTS (9590/9595 only)

THE DISPENSE TIMERS START WHEN THE WATER STARTS.

DETERGENT, ACID, and SANITIZE TIMERS-- The dispense timers are adjustable from 1.0 to 1023 seconds. The pumps run at 120 R.P.M. and dispense 30 OZ. / MIN. Multiply the amount of chemical required by **2** for the pump run time in seconds. Set dispense timers for the pump run time in seconds.

EXAMPLE: 60 OZ. CHEMICAL REQUIRED.

60 OZ. X 2 = 120 SECONDS = (8-16-32-64) TIMER SWITCHES ON.

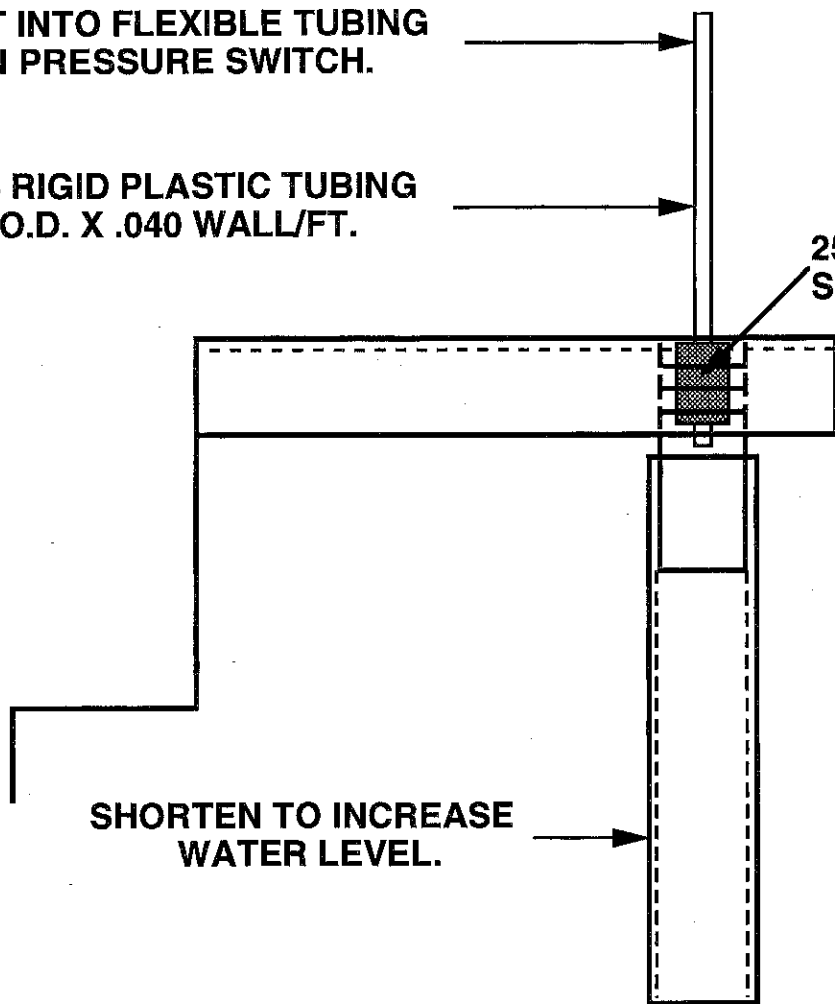


PRESSURE SWITCH TUBING INSTALLATION INSTRUCTIONS

INSERT INTO FLEXIBLE TUBING
ON PRESSURE SWITCH.

2784 RIGID PLASTIC TUBING
1/4" O.D. X .040 WALL/FT.

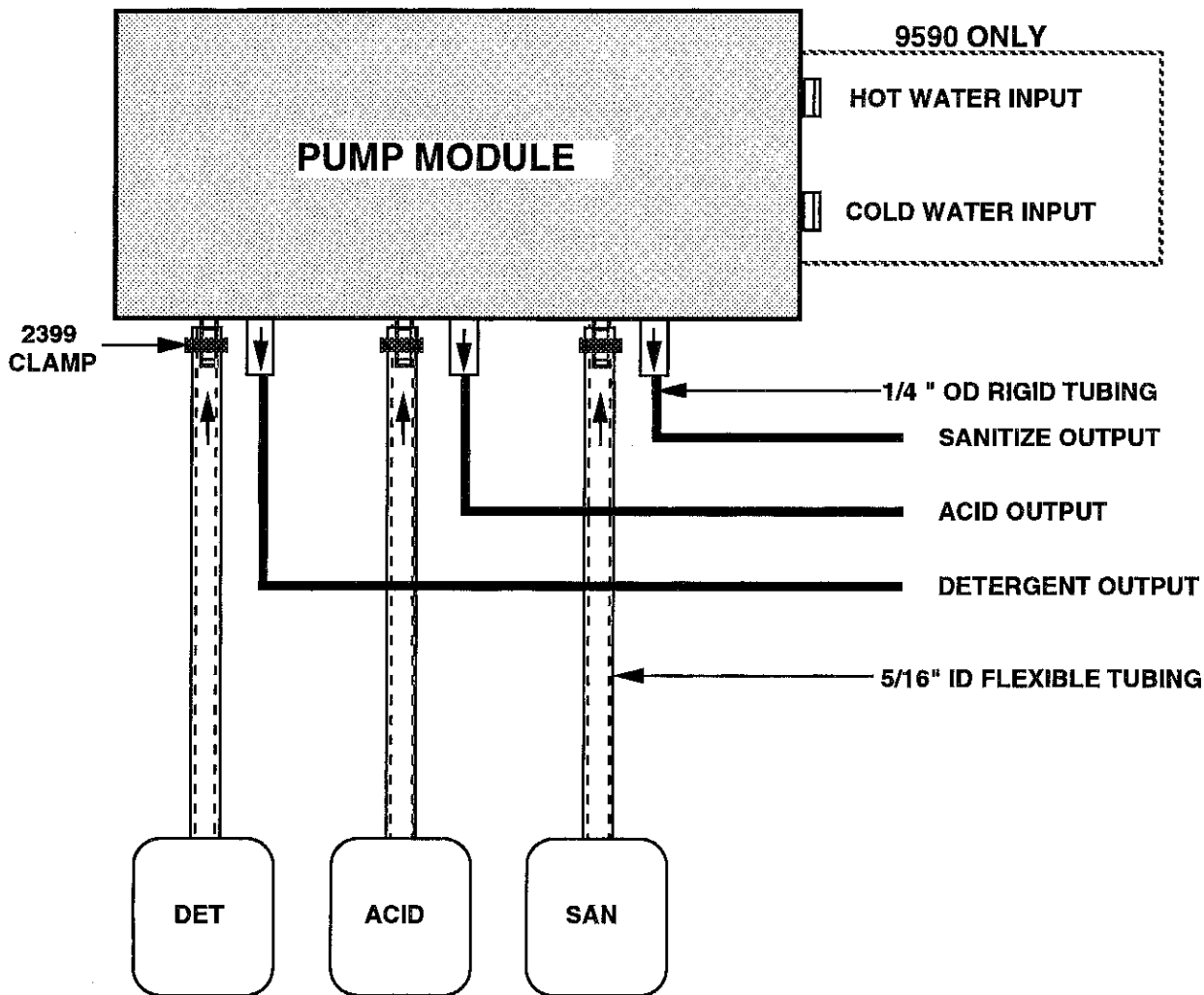
2576 PRESSURE
SWITCH BUSHING



SHORTEN TO INCREASE
WATER LEVEL.



9590/9595 INSTALLATION

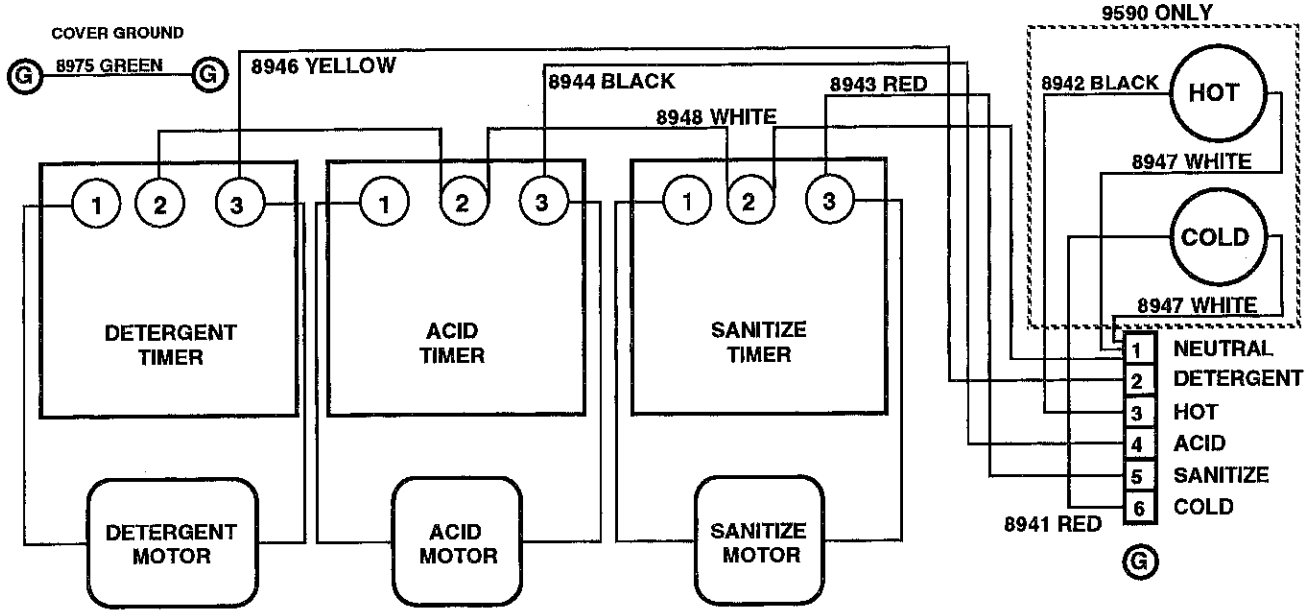


9590/9595 PUMP CALIBRATION CHART

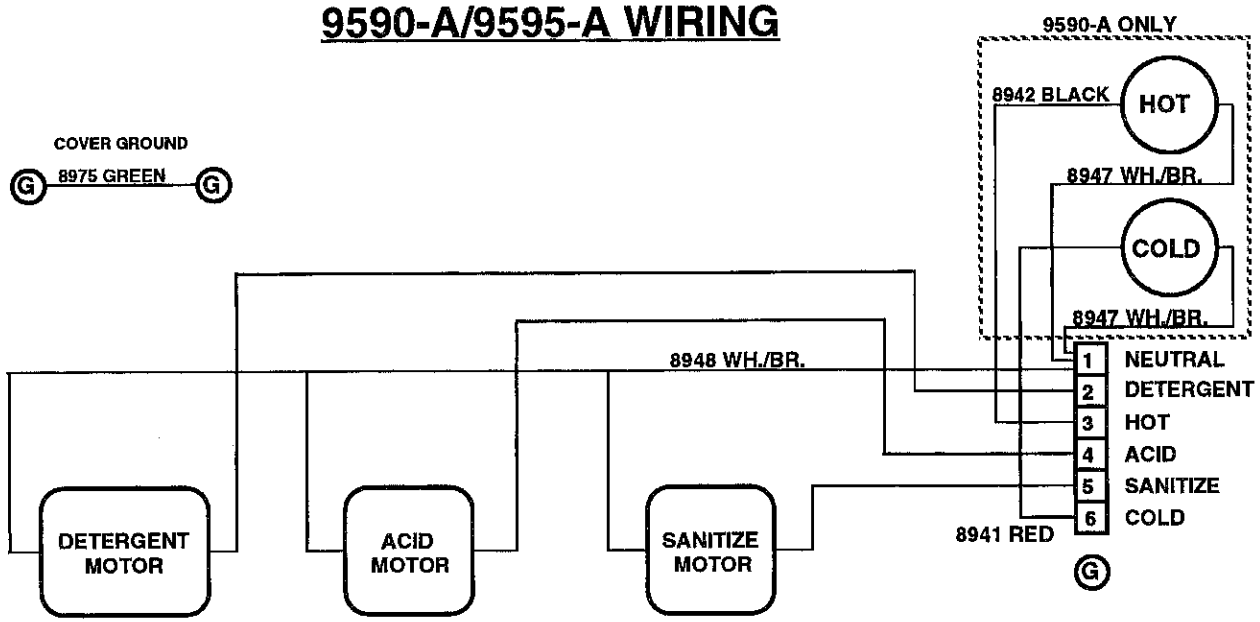
OUTPUT IN OZ	SECONDS	SWITCH ON	OUTPUT IN OZ II	SECONDS II	SWITCH ON II
0.50	1	1	26.00	52	32-16-4
1.00	2	2	26.50	53	32-16-4-1
1.50	3	1-2	27.00	54	32-16-4-2
2.00	4	4	27.50	55	32-16-4-2-1
2.50	5	4-1	28.00	56	32-16-8
3.00	6	4-2	28.50	57	32-16-8-1
3.50	7	4-2-1	29.00	58	32-16-8-2
4.00	8	8	29.50	59	32-16-8-2-1
4.50	9	8-1	30.00	60	32-16-8-4
5.00	10	8-2	30.50	61	32-16-8-4-1
5.50	11	8-2-1	31.00	62	32-16-8-4-2
6.00	12	8-4	31.50	63	32-16-8-4-2-1
6.50	13	8-4-1	32.00	64	64
7.00	14	8-4-2	32.50	65	64-1
7.50	15	8-4-2-1	33.00	66	64-2
8.00	16	16	33.50	67	64-2-1
8.50	17	16-1	34.00	68	64-4
9.00	18	16-2	34.50	69	64-4-1
9.50	19	16-2-1	35.00	70	64-4-2
10.00	20	16-4	35.50	71	64-4-2-1
10.50	21	16-4-1	36.00	72	64-8
11.00	22	16-4-2	36.50	73	64-8-1
11.50	23	16-4-2-1	37.00	74	64-8-2
12.00	24	16-8	37.50	75	64-8-2-1
12.50	25	16-8-1	38.00	76	64-8-4
13.00	26	16-8-2	38.50	77	64-8-4-1
13.50	27	16-8-2-1	39.00	78	64-8-4-2
14.00	28	16-8-4	39.50	79	64-8-4-2-1
14.50	29	16-8-4-1	40.00	80	64-16
15.00	30	16-8-4-2	40.50	81	64-16-1
15.50	31	16-8-4-2-1	41.00	82	64-16-2
16.00	32	32	41.50	83	64-16-2-1
16.50	33	32-1	42.00	84	64-16-4
17.00	34	32-2	42.50	85	64-16-4-1
17.50	35	32-2-1	43.00	86	64-16-4-2
18.00	36	32-4	43.50	87	64-16-4-2-1
18.50	37	32-4-1	44.00	88	64-16-8
19.00	38	32-4-2	44.50	89	64-16-8-1
19.50	39	32-4-2-1	45.00	90	64-16-8-2
20.00	40	32-8	45.50	91	64-16-8-2-1
20.50	41	32-8-1	46.00	92	64-16-8-4
21.00	42	32-8-2	46.50	93	64-16-8-4-1
21.50	43	32-8-2-1	47.00	94	64-16-8-4-2
22.00	44	32-8-4	47.50	95	64-16-8-4-2-1
22.50	45	32-8-4-1	48.00	96	64-32
23.00	46	32-8-4-2	48.50	97	64-32-1
23.50	47	32-8-4-2-1	49.00	98	64-32-2
24.00	48	32-16	49.50	99	64-32-2-1
24.50	49	32-16-1	50.00	100	64-32-4
25.00	50	32-16-2	64.00	128	128
25.50	51	32-16-2-1	256.00	512	512



9590/9595 WIRING

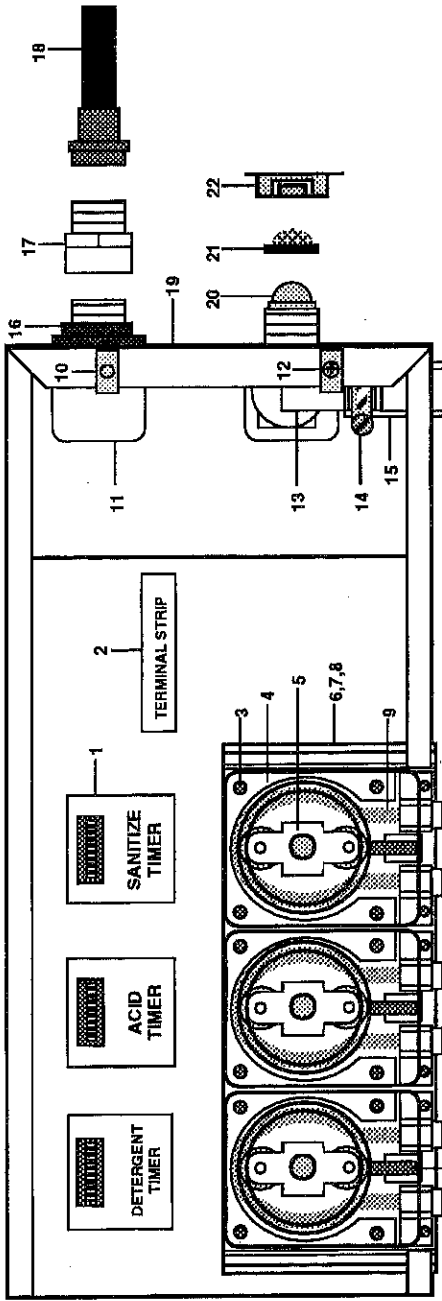


9590-A/9595-A WIRING

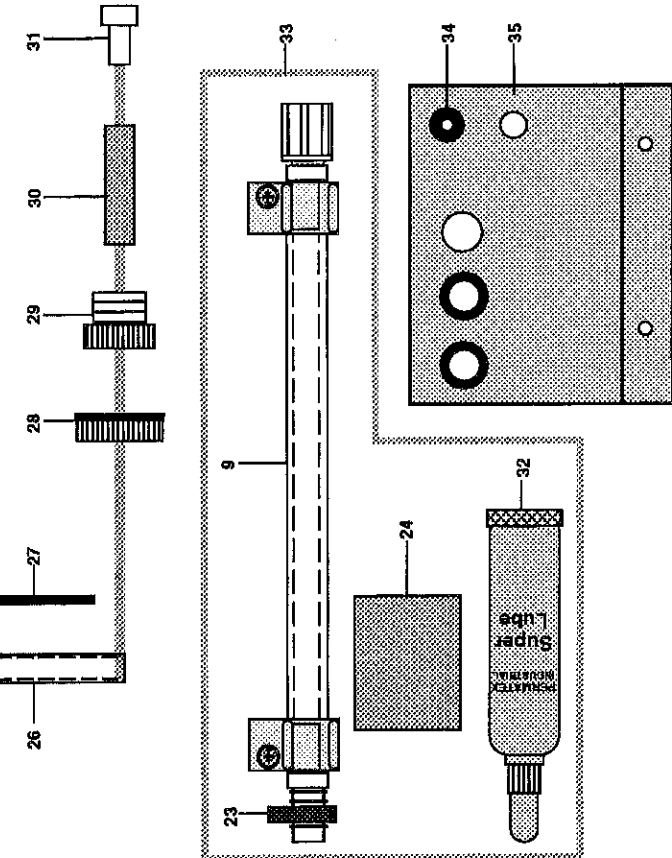




9590/9595 PARTS



ITEM	DESCRIPTION	PART NO.
1	ADJUSTABLE TIMER 1.0 TO 1023 SECONDS	8908
2	TERMINAL BLOCK	8836
3	S.S. HI LOW SCREW #8 X 5/8"	6161
4	CLEAR FACE PLATE	9568
5	ROLLER ASSEMBLY	9565
6	3 - PUMP MODULE (peristaltic)	9575
7	3 - PUMP MODULE (peristaltic 9590-A, 9595-A)	9592
8	3 - PUMP HOUSING	9566
9	HI SPEED MOTOR 120VAC, 120RPM	9576
10	HI SPEED MOTOR 120VAC, 120RPM (9590-A, 9595-A)	9593
11	SQUEEZE TUBE ASSEMBLY - 3/8" I.D. X 5/8" O.D.	9597
12	S.S. SHEET METAL CLIP NUT 10-24	6136
13	WATER VALVE	8885
14	WATER VALVE COIL	32551
15	S.S. SEAL SCREW 10-24 X 1/2"	6140
16	OUTLET ADAPTOR	8876
17	S.S. HOSE CLAMP 3/4"	2319
18	PLASTIC TUBING 3/4" I.D. X 1" O.D./FT.	8868
19	RUBBER GASKET	1085
20	INLET ADAPTER	8814
21	PRESSURE HOSE	8869
22	CASE ASSEMBLY	9570
23	SCREEN	32552
24	HOSE GASKET	1403
25	HOLE PLUG 1.093 - 1.125 DIA.	9564
26	PLASTIC CLAMP 1/2"	2399
27	FELT PUMP PAD	9566
28	COMPRESSION NUT 1/4"	9569
29	FLEXIBLE PLASTIC TUBING 5/16" I.D. X 7/16" O.D./FT.	1089
30	RIGID PLASTIC TUBING 1/4" O.D. X .040 WALL/FT.	2784
31	BOTTLE CAP-GALLON CONTAINER	2519
32	BOTTLE CAP-LARGE CONTAINER	2678
33	CERAMIC WEIGHT	2528
34	SCREEN	2530
35	SYNTHETIC TEFLON GREASE .5oz. TUBE	9587
36	SQUEEZE TUBE REPL. KIT - 3/8" I.D. X 5/8" O.D. TUBE	9598
37	PRESSURE SWITCH BUSHING	2576
38	INPUT PLATE	8905





9590/9595 TROUBLESHOOTING GUIDE

PROBLEM	POSSIBLE CAUSE
---------	----------------

- | | |
|--|---|
| 1. Fail light during the Wash fill. | <ul style="list-style-type: none"> a. No water on Hot input. b. Screen plugged on Hot input. c. Defective Hot coil on water valve. d. Defective main timer. |
| 2. Fail light during the fill of the Second Rinse or Sanitize. | <ul style="list-style-type: none"> a. No water on Cold input. b. Screen plugged on cold input. c. Defective cold coil on water valve. d. Defective main timer. |
| 3. Too much chemical dispensed. | <ul style="list-style-type: none"> a. Defective dispense timer. |
| 4. Too little or no chemical dispensed. | <ul style="list-style-type: none"> a. Air leak in tubing. b. Defective squeeze tube. c. Defective motor. d. Defective dispense timer. e. Defective main timer. |
| 5. Water leaking into wash vat. | <ul style="list-style-type: none"> a. Defective water valve. |